


Type FM 1263 Load Cell



Short description



- Aluminium-alloy IP65 single point load cell.  test certificate no. D09-03.22 Revision 2
- Colourless anodized
 - Suitable for single and double load cells structured platform scales.
 - Maximum platform size: 600 x 600 mm
 - A 1000 Ohm type available (R1) but is excluded from OIML

Available models

Capacity	Accuracy	Full article description
50kg	C3	L6G-C3-50kg-3G6
100kg	C3	L6G-C3-100kg-3G6
150kg	C3/C4	L6G-C3/C4-150kg-3G6
200kg	C3/C4	L6G-C3/C4-200kg-3G6
250kg	C3/C4	L6G-C3/C4-250kg-3G6
300kg	C3/C4	L6G-C3/C4-300kg-3G6
500kg	C3/C4	L6G-C3/C4-500kg-3G6

Specifications and dimensions are subject to change without notice and do not constitute any liability whatsoever.

Type FM 1263 Load Cell



600kg	C3/C4	L6G-C3/C4-600kg-3G6
-------	-------	---------------------

Detailed specifications L6G

Accuracy class		OIML R60 C3	OIML R60 C4
Output sensitivity (= FS)	mV/V	2.0 ± 0.2	
Maximum capacity (E _{max})	kg	50, 100, 150, 200, 250, 300, 500, 600	150, 200, 250, 300, 500, 600
Max.number of load cell intervals	n _{LC}	3000	4000
Ratio of min. LC verification interval	Y = E _{max} / v _{min}	10000	15000
Combined Error	%FS	≤± 0.0230	≤± 0.0175
Minimum dead load	Of E _{max}	0%	
Safe overload	of E _{max}	150 %	
Ultimate overload	of E _{max}	300 %	
Zero balance	of FS	< ± 2.0 %	
Excitation, recommended voltage	V	5 ~ 12	
Excitation maximum	V	18	
Input resistance	Ω	409 ± 6	
Output resistance	Ω	350 ± 3	
Insulation resistance	MΩ	≥5000 (at 50VDC)	
Compensated temperature	°C	-10 ~ +40	
Operating temperature	°C	-35 ~ +65	
Storage temperature	°C	-40 ~ +70	
Element material		Aluminium	
Ingress Protection (acc. to EN 60529)		IP65	
Recommended torque on fixation	Nm	M8:25	

Wiring

Wiring:

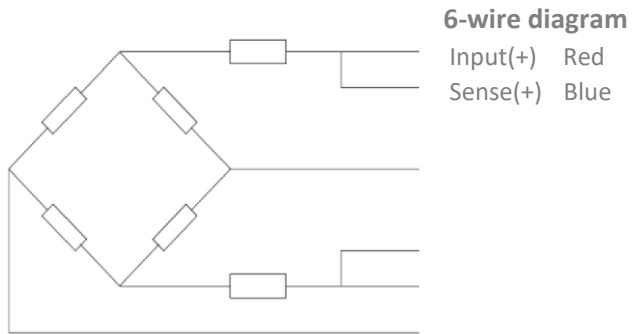
Shielded, 6 conductor cable.

Cable diameter: Ø6mm.

Cable length: 3m.

Shield connected to element. Cable jacket in PVC.

Type FM 1263 Load Cell



Output(-) White

Sense(-) Yellow

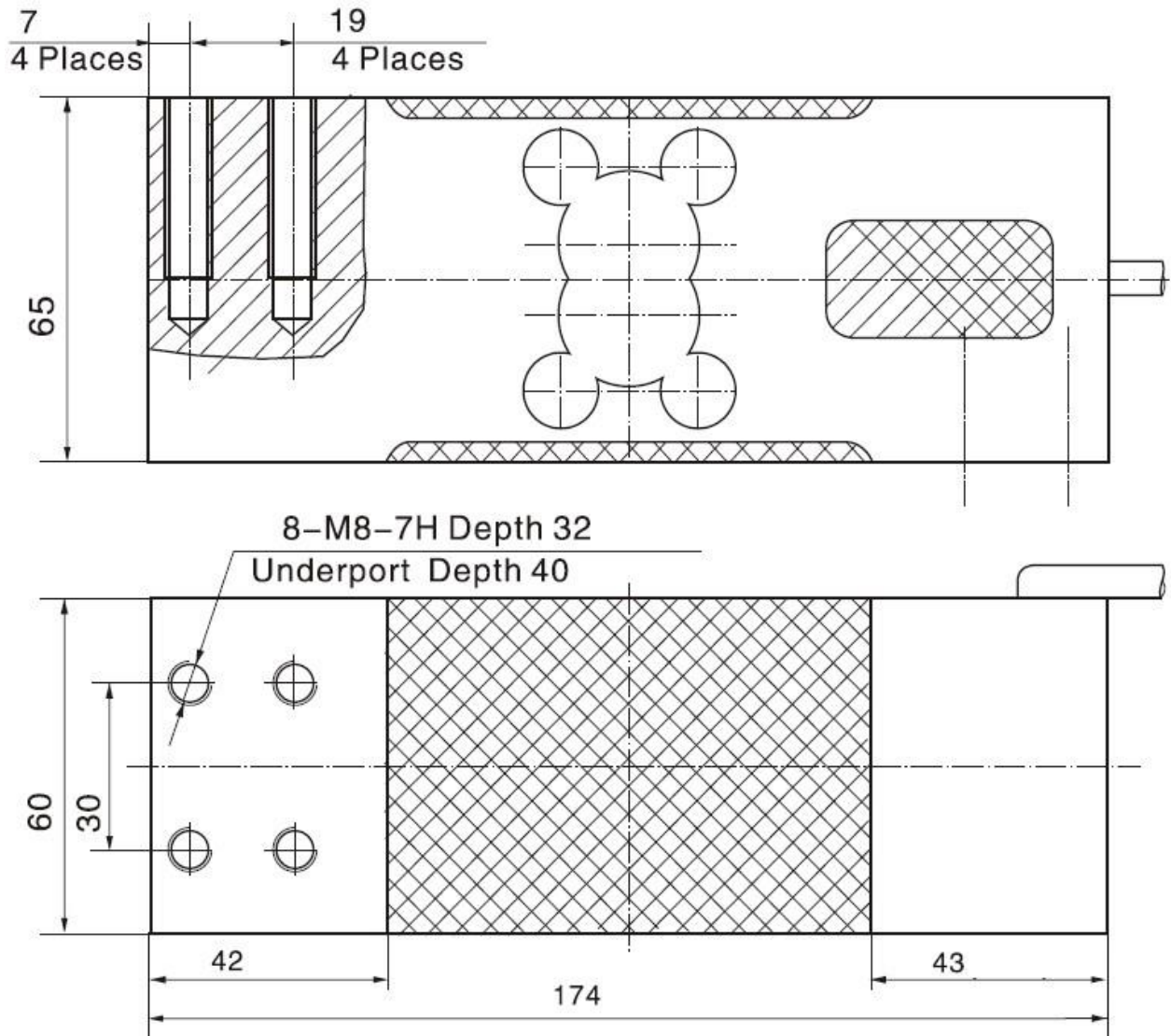
Input(-) Black

Output(+) Green

Type FM 1263 Load Cell



Dimensions in mm



Specifications and dimensions are subject to change without notice and do not constitute any liability whatsoever.